

850910
850915
850920
850925

PNEUMATIC PUMPS WITH 12 OUTLETS



850930
850935
850940
850945

ASSEMBLY AND SERVICING INSTRUCTIONS

A) System installation

Before connecting the pipes, be sure that the inside is perfectly clean; verify that the cut of the pipes hasn't any burr, which could go in the pipings of the plant.

It is advisable to blow the pipes with the air.

B) Initial filling of the pipings

Pump the lubricant into the plant, leaving the extremities of the plant open, in order that all the air is purged.

As soon as the lubricant flows without air bubbles, connect the pipings to the users.

In these conditions the plant is working.

FAULTS ORIGINATING A WRONG WORKING

- 1) Air in the pipings.
- 2) Lubricant isn't fit.
- 3) Impurities in the plant (valve organs of the pump dirty).
- 4) Broken parts.

REMEDIES

- 1) Purge air from the pipings. (Follow the norms explained at Point B).
- 2) Change the lubricant with the right one.
- 3) Clean all the plant.
- 4) Change the broken parts.

Type of lubricant: mineral oil, viscosity 3000 cSt max.,
grease fit for pumping, 0 rating (NLGI).

ITALY
Dropsa SpA
t.(+39) 02-250791
f.(+39) 02-25079767

SPAIN
Polydrop, S.A.
t.(+34) 93-260-22-50
f.(+34) 93-260-22-51

U.S.A.
Dropsa Corporation
t.(+1) 586-566-1540
f.(+1) 586-566-1541

U.K.
Dropsa (UK) Ltd
t.(+44) 01784-431177
f.(+44) 01784-438598

BRAZIL
Dropsa
t.(+55) 011-563-10007
f.(+55) 011-563-19408

GERMANY
Dropsa GmbH
t.(+49) 0211-394-011
f.(+49) 0211-394-013

AUSTRALIA
Dropsa Australia Ltd.
t.(+61) 2-9938-6644
f.(+61) 2-9938-6611

FRANCE
Dropsa France
t.(+33) 01-3993-0033
f.(+33) 01-3986-2636

Web site:
<http://www.dropsa.com>

E-mail:
sales@dropsa.com

WK 31/87
7176223



PNEUMATIC PUMPS WITH 12 OUTLETS

850910
850915
850920
850925

850930
850935
850940
850945

DESCRIPTION

It is a kind of pneumatic driven pumps, in which the quantity of lubricant delivered from each outlet of the pump is the same.

The delivery occurs in progressive sequence from the first to the last outlet.

The ratio between the drive pressure and the outlet pressure is of 26 : 1

Pumps nr.: 850910 - 850915 - 850920 - 850925 - Delivery 73,5 mm³ per outlet.

Pumps nr.: 850930 - 850935 - 850940 - 850945 - Delivery 40,0 mm³ per outlet.

The number of outlets can be modified in the following way:

- Pumps nr. 850910 - 850915 - 850920 - 850925, only in the direction from 1 to 12 (and not in the opposite one), by taking away the corresponding number of inserts, pos. 16, depending from the desired number of outlets.
- Pumps nr. 850930 - 850935 - 850940 - 850945, in both directions, by acting on the screw, pos. 16.



Pumps with spring return Nr.	Hole A	Pumps with air return Nr.
850910	1/8 NPTF	850915
850920	1/8 BSP	850925

Pumps with spring return Nr.	Hole A	Pumps with air return Nr.
850930	1/8 NPTF	850935
850940	1/8 BSP	850945

See drawing on page 2

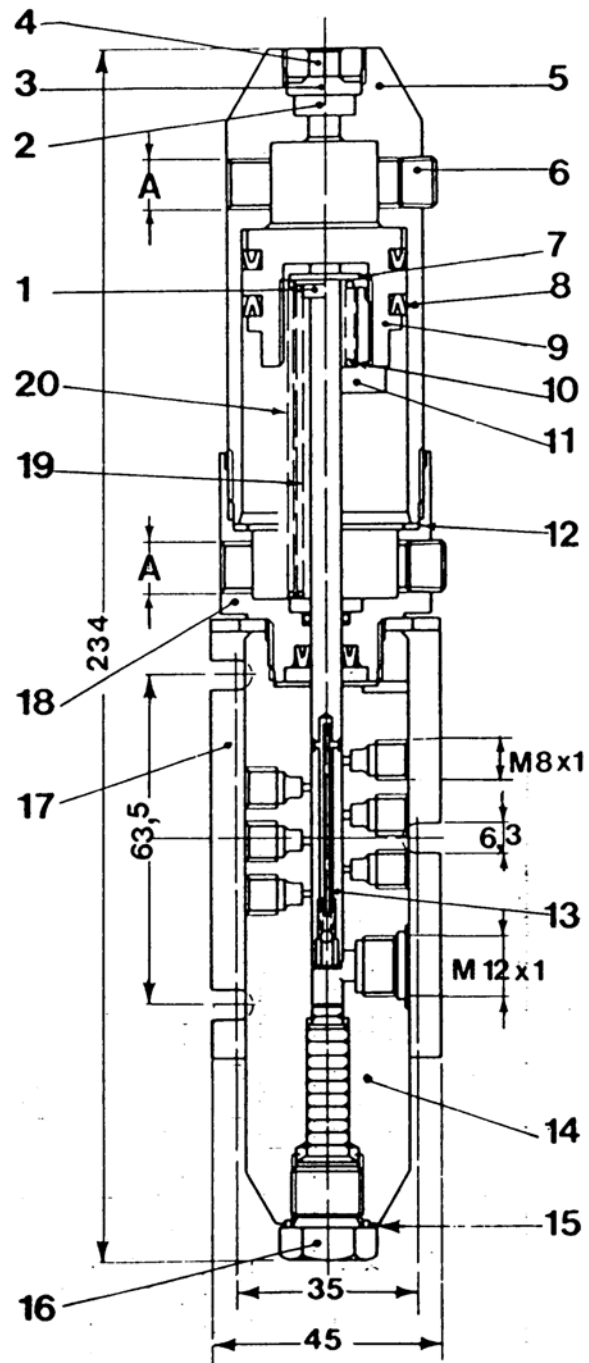
850910
850915
850920
850925

**PNEUMATIC PUMPS
WITH 12 OUTLETS**

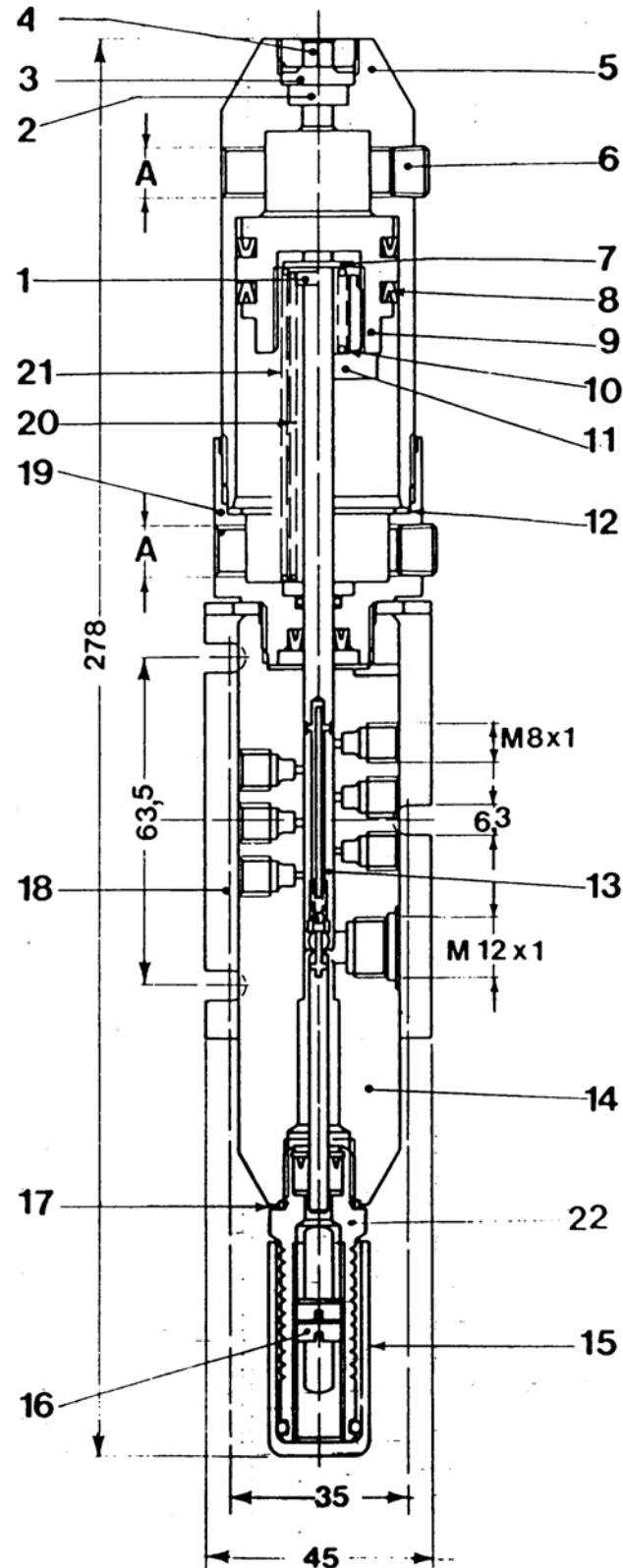


850930
850935
850940
850945

Nr. 850910 ÷ 850925



Nr. 850930 + 850945



**PNEUMATIC PUMPS
WITH 12 OUTLETS**

850910
850915
850920
850925

850930
850935
850940
850945

Spare parts for pumps 850910 ÷ 850925

Pos.	Description	Nr.	Q.ty
1	Sleeve (only for spring return)	3008088	1
2	Seal	3190069	1
3	Steel seal	622077	1
4	Plug	622064	1
5	Cylinder thread NPTF	3113095	1
	Cylinder thread BSP	3113094	1
6	Dowel thread NPTF	3232097	2
	Dowel thread BSP	3232098	2
7	Steel washer	275032	1
8	Seal	275034	2
9	Piston	275026	1
10	Spring (only for air return)	275024	1
11	Spring cap (only for air return)	275027	1
12	Seal	275023	1
13	Distributor piston with rod	3101063	1
14	Pump body	3072313	1
15	Copper seal	3190118	1
16	Adjusting screw	3230093	1
17	Pump support	3049053	1
18	Connection flange thread NPTF	3045074	1
	Connection flange thread BSP	3045075	1
19	Spring (only for spring return)	3191086	1
20	Spring (only for spring return)	3191087	1

Spare parts for pumps 850930 ÷ 850945

Pos.	Description	Nr.	Q.ty
1	Sleeve (only for spring return)	3008088	1
2	Seal	3190069	1
3	Steel seal	622077	1
4	Plug	622064	1
5	Cylinder thread NPTF	3113095	1
	Cylinder thread BSP	3113094	1
6	Dowel thread NPTF	3232097	2
	Dowel thread BSP	3232098	2
7	Steel washer	275032	1
8	Seal	275034	2
9	Piston	275026	1
10	Spring (only for air return)	275024	1
11	Spring cap (only for air return)	275027	1
12	Seal	275023	1
13	Distributor piston with rod	3101063	1
14	Pump body	3072313	1
15	Delivery regulator cap	3042045	1
16	Adjusting screw	671027	2
17	Seal	3190118	1
18	Pump support	3049053	1
19	Connection flange thread NPTF	3045074	1
	Connection flange thread BSP	3045075	1
20	Spring (only for spring return)	3191086	1
21	Spring (only for spring return)	3191087	1
22	Delivery regulator	3293019	1